

IRtech Radiamatic IR60 GT Mk3

Fiber Optic Process Infrared Thermometers for Glass applications

IR60 GT Mk3 is specially designed highly accurate digital pyrometer with provides high performance and low maintenance of non contact temperature measurement in the glass industry. Especially for glass tank ,fore hearth ,feeder and working end. The rugged fiber optic cable is designed to withstand high ambient temperature in glass industry without water cooling. IR60 GT Mk3 is fully digital pyrometer. The supplied software allows remote communication and data logging through Rs232/USB .Emissivity , subrange or response time and peak picker can be preset ex-works or adjusted through software. This enables the instruments to be adapted to various measuring tasks. The pyrometer have solid body in stainless steel housing which provide high operation safety even in rough industrial environment.



Applications

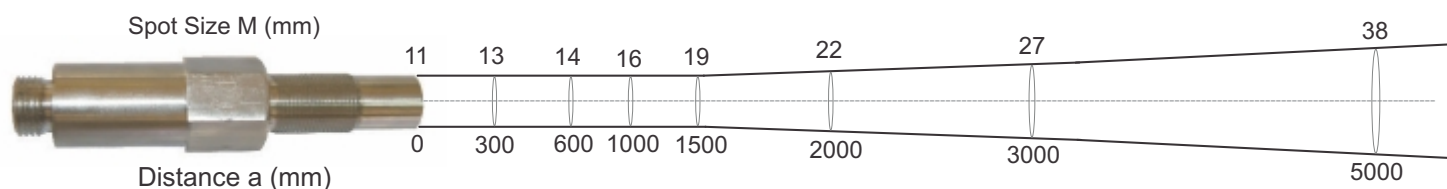
- ❖ Furnace Crown
- ❖ Furnace sidewall
- ❖ Fore hearth
- ❖ Feeder
- ❖ Working end

Features

- ❖ Highly accurate 0.3% of measured value
- ❖ Wide temperature range 600.....1800°C
- ❖ Fully digital. Analog and digital output
- ❖ High optical resolution
- ❖ Fast response time : 250mS Adjustable upto10S
- ❖ Very good stability
- ❖ User friendly software
- ❖ Rugged Stainless Steel Housing
- ❖ Variety of accessories

Model	IR60 GT MK3
Measured Temperatures Range	600°.....1800 °C
Emissivity Range	0.05.....1 adjustable via DIP switch and USB
Spectral Range, μm	1μm
Photodetector Type	Silicon
Response Time	250 msec. Adjustable upto 10S
Accuracy	+/-0.3 % of the measured value or 3°C whichever is greater
Repeatability	0.2% of reading in°C +1°C
Analog Output	4-20mA
Digital Output	USB 2.0
Power	24 V DC
Optical Resolution	100 : 1 (approx.) Min. spot size 16mm
Operating temperature	Max.250°C (Optical Head & Fibre Optic)
	0°C +70°C at pyrometer end
Fibre Optic	5 mtr long multi fibre in SS flexible conduit
Operating humidity	Unlimited
Dimensions/Weight (Electronic Unit)	115 mm * 65 mm * 55 mm / 0.5 Kg
Adjustable Parameters via software	Response time, Temperature sub range, emissivity
Readable parameters via software	Measured temperature, temperature graph, emissivity graph, brightness temperature

Spot Size



Air purge unit with sighting tube
Reference No. 810 - 01



Air purge unit with Ceramic tube
Reference No. 810 - 02



Air purge with Mounting flange
Reference No. 810 - 03

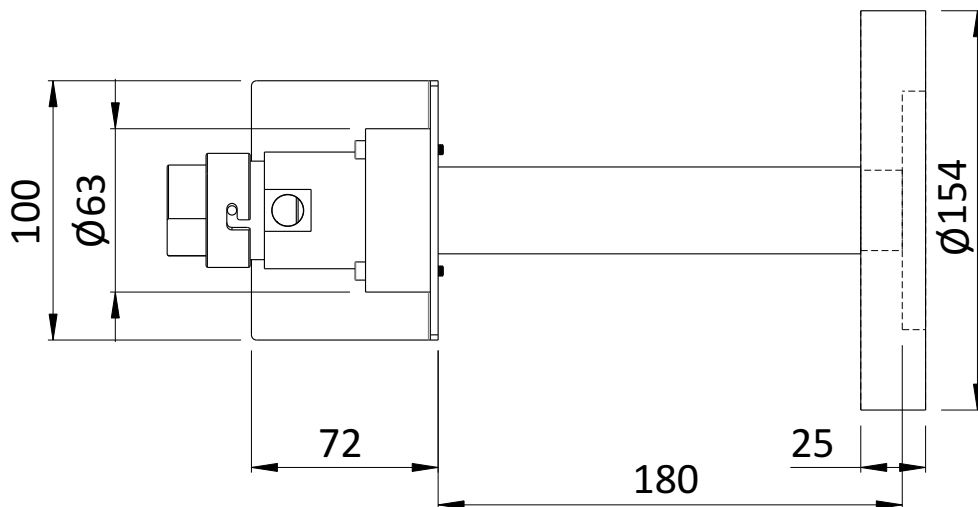


Fiber Optic Cable

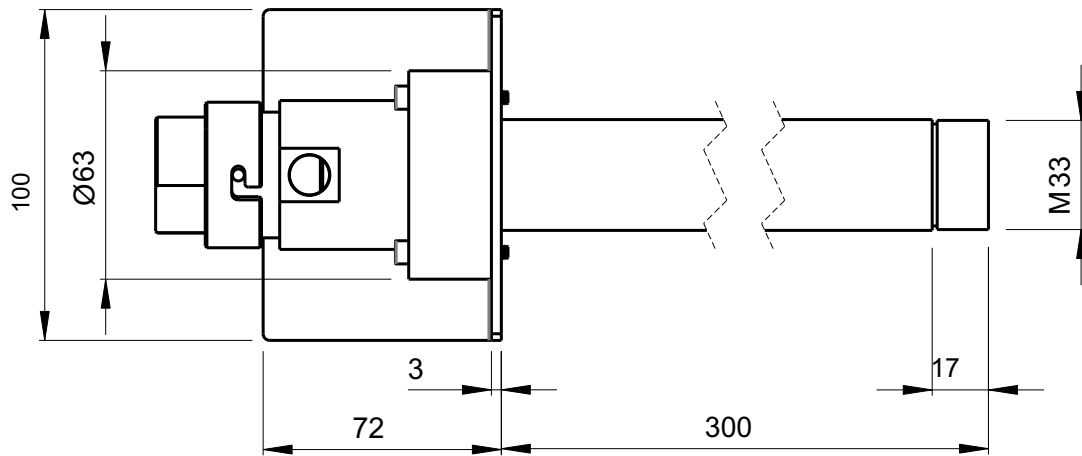
Reference No. 600 - 01 (5 Mtr)
Reference No. 600 - 02 (10 Mtr)



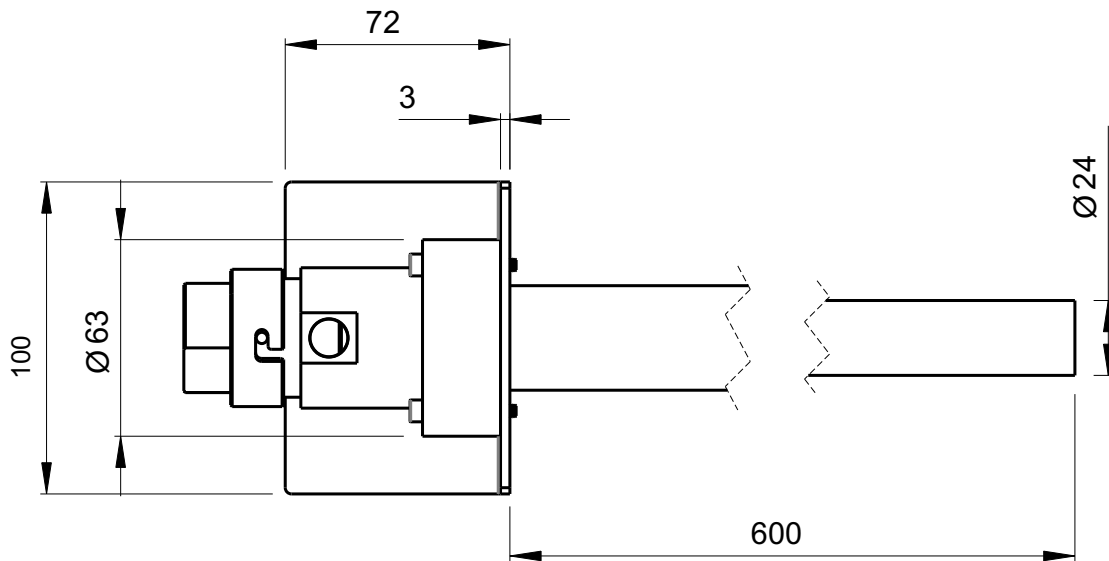
Dimensions



Air purge with Mounting flange
Reference No. 810 - 03



Air Purge Unit with Sighting Tool
(Reference No. 810-01)



Air Purge Unit with Ceramic Tube
(Reference No. 810-02)

E instruments

IRtech Radiamatic IR60 GT Mk3

