

# E instruments group

## **IRtech** Radiamatic IR14 ATEX KIT

Compact Split Process Infrared Thermometers Atex Kit

**IRtech**  
Infrared Technology

- Cost saving solution by simple concept
- Sensing head as simple electrical device enables installations in hazardous locations without problems
- Energy limitation with appropriate zener barriers (STAHL) with approval for zone 1 (PTB 01 ATEX 2053/ E II (1/2) GD [EEx ia/ib] IIC/IIB)ng

CE



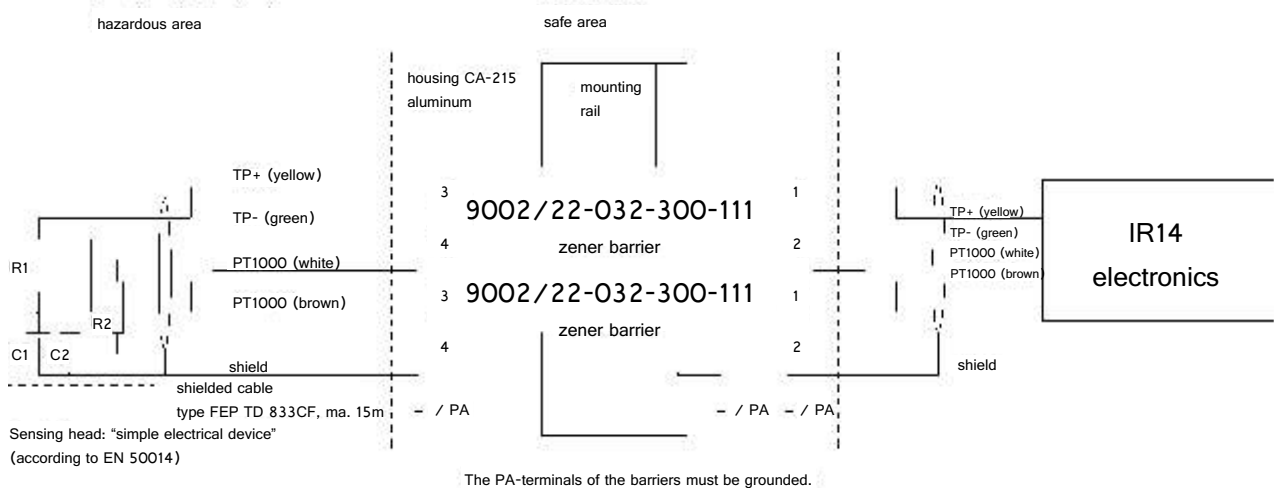
IRtech Radiamatic IR14 sensing heads are defined as simple electrical devices (according to EN 50014). No special approval for intrinsic safety necessary. IR14 gets intrinsically safe by limitation of the energy with two double zener barriers, type 9002/22-032-300-111 (R. STAHL AG).

Scope of supply

- IR14 Sensor (optics 2:1, 15:1, 22:1) with cable length 3 m, 8 m or 15 m(selectable)
- aluminum housing with mounting appliance for two zener barriers and IR14 electronics
- 2 zener barriers, type 9002/22-032-300-111 (R. STAHL AG)

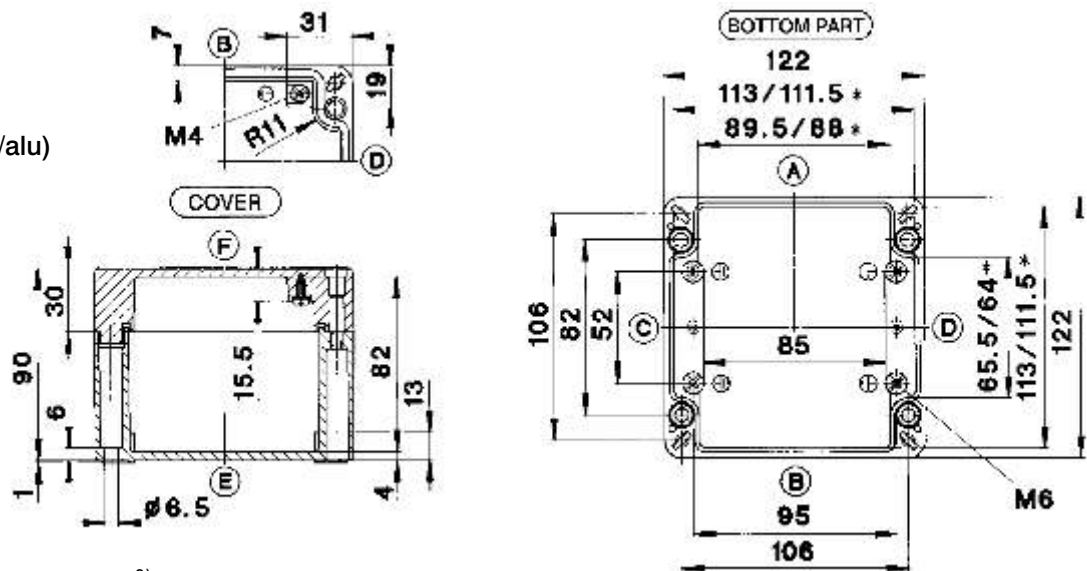
NOTE: The functionality and correct reading of their IR14sensor can only be guaranteed, if the recommended barriers are used.

**Connection diagram**



The PA-terminals of the barriers must be grounded.

**Dimensions (housing/alu)**



**Technical data (zener barriers) <sup>2)</sup>**

Type 9002/22-032-300-111	
Approvals	Europe (CENELEC) for zone 1: PTB 01 ATEX 2053
	for zone 2: PTB 01 ATEX 2054
	USA FM approval 3010778
Explosion protection	Canada CSA 1284580 (LR 43394)
	Europe (CENELEC) for zone 1: E II (1/2) GD [EEx ia/ib] IIC/IIB
	for zone 2: E II 3 GD EEx nA II T4
	USA I.S. circuits for: class I, II, III, division 1, groups A, B, C, D, E, F, G
	I.S. circuits for: class I, zone 0, group IIC
	class I, division 2, groups A, B, C, D
	class I, zone 2, group IIC
	Canada I.S. circuits for: class I, groups A, B, C, D; class II, groups E, F, G
	class III
	class I, division 2, groups A, B, C, D
class I, zone 2, groups IIC	
Installation	in zone 2, division 2 and in safe area
Environmental rating	acc. to IEC 60529/terminal IP 20/housing IP 40
Ambient temperature	-20°C to 60°C

<sup>2)</sup> Declaration of company R. STAHL AG